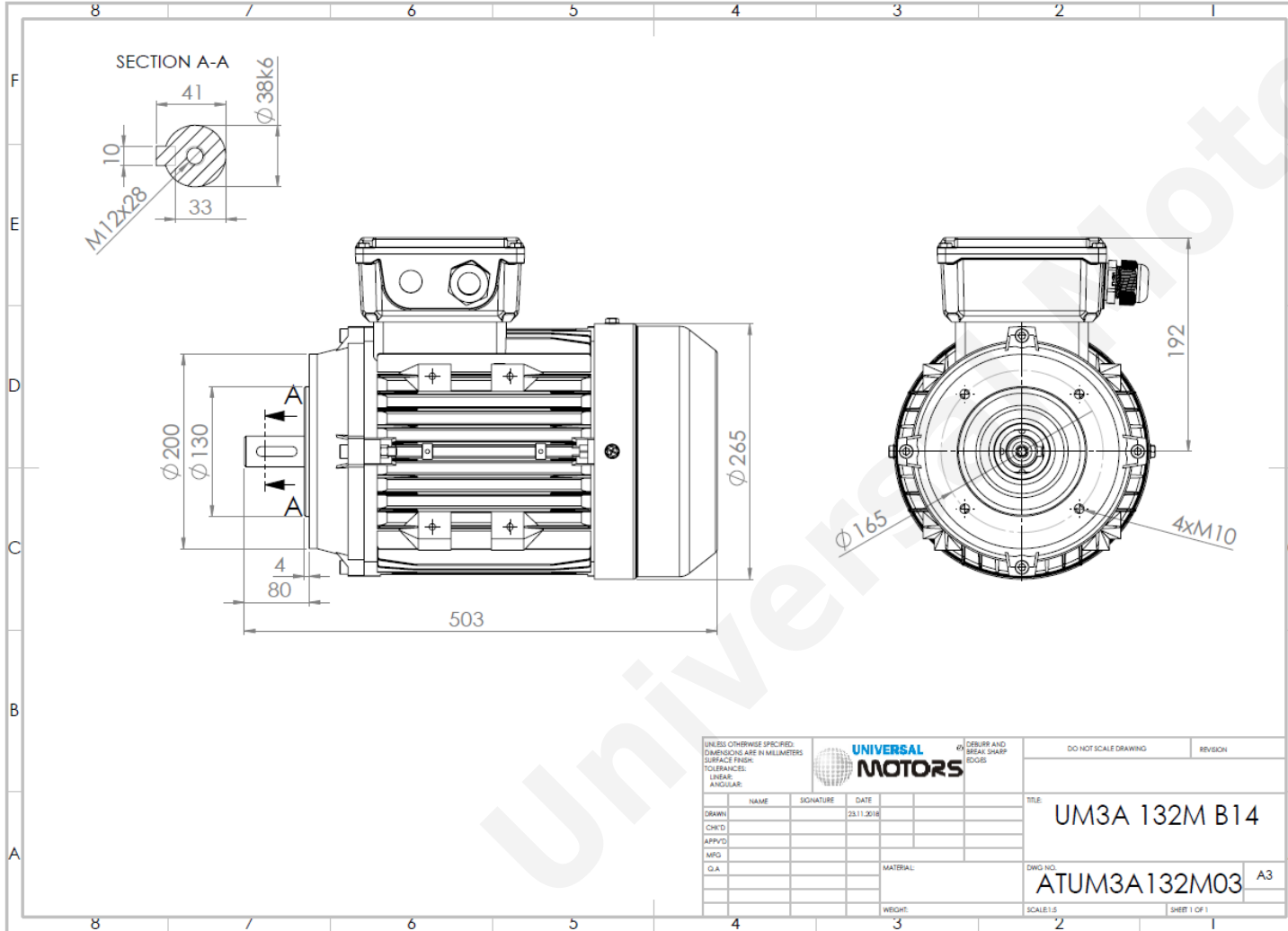




TECHNICAL DATA

Three Phase Electric Motors - Aluminum Frame
 PE31 132M1-4
 7.5 kW / 10 Cv
 1455 RPM



Motor type:	PE31 132M1-4
Output:	7.5 kW / 10 Cv
Speed (min ⁻¹):	1455 RPM
Frequency:	50 Hz
Voltage:	400 V
Current:	14.4 A
Power factor (Cos Ø):	0.83
Poles:	4
Insulation class:	F
Temperature rise Class:	B
Efficiency 50%:	88.6 %
Efficiency 75%:	89.5 %
Efficiency 100%:	90.4 %
Torque:	49.2 N.m
Tstarting/Tnominal:	2.0
Istarting/Inominal:	7.4
Tmaximum/Tnominal:	2.3
Noise:	75 Db(A)
Weight:	61 Kg
Bearing DE:	6308 2Z C3
Bearing NDE:	6308 2Z C3

Regime - S1

Altitude - 1000m

Environment Temperature - 40°C

CONTACTS:

UNIVERSAL MOTORS Tel: +351 252 299 080
 Rua de São Brás,745 Fax: +351 252 299 089
 4480-782 VILA DO CONDE Mail: geral@universalmotors.pt

* References applied only in the UK